



## 12-36 Line Boring Machine



### • Applications

---

- Ship building
- Large bores over 20 in up to 36 in
- Mining
- Power Generation
- Maintenance Facilities
- Pulp
- Paper



### • Product Description

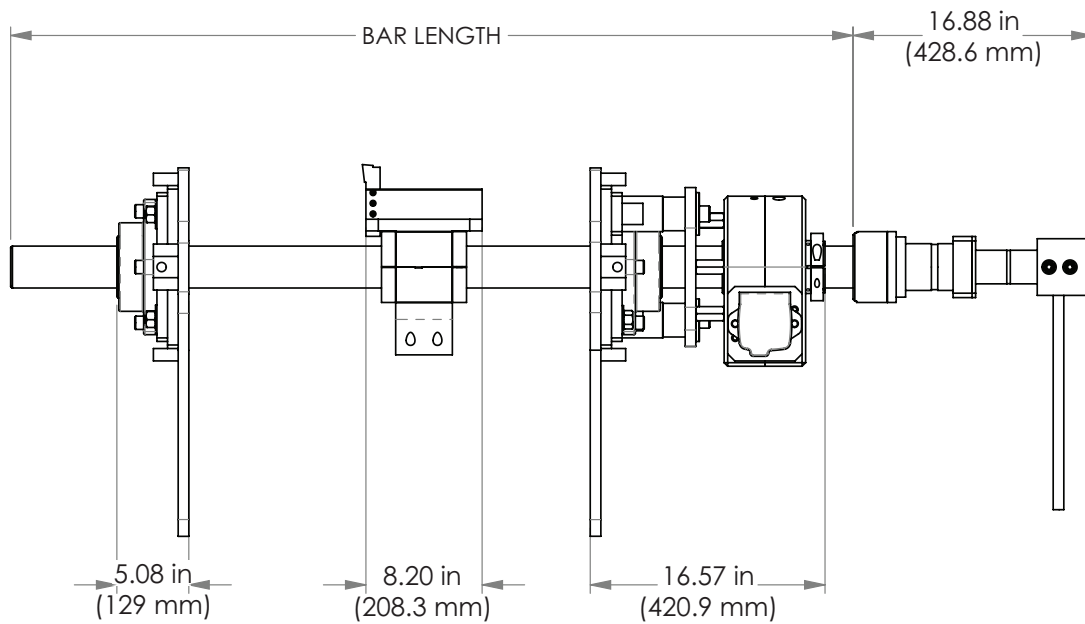
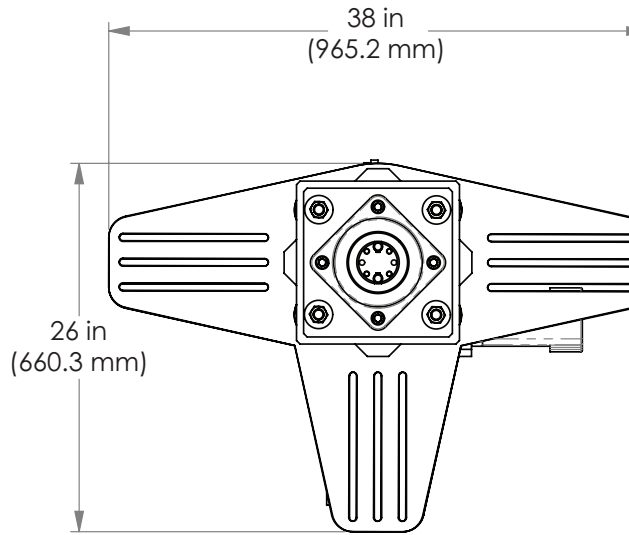
---

With a boring range of 12 to 36 inches (304.8 to 914.4 mm) the York 12-36 line boring machine is your answer for large bores. Both feed and rotation are hydraulically driven and are independently adjustable while in use. The 12-36 features a 3 inch boring bar with twin lead screws for balanced feeding and shock absorbing dampers to reduce tool impact for longer tool life. A small bore kit is available for diameters 8 to 12 inches (203.2 to 304.8 mm).

### • Advantages

---

- Twin lead screws for balanced feeding
- Variable and reversible feed rates
- Variable and reversible rotation speeds
- Remote control pendant
- X/Y adjustable bearing mounts
- High quality alloys and fittings
- Both feed and rotation are hydraulically driven and independently adjustable while in use



<b>Min/Max diameters</b>	8 - 36 in (203.2-914.4 mm)
<b>Max Bar Length</b>	240 in (6096 mm)
<b>Feed rate</b>	Variable .375 in (9.5 mm) per min up to 5.5 in (139.7 mm) per min
<b>Rapid traverse</b>	5.5 in (139.7 mm) per min
<b>Rotation speed</b>	20 to 125 rpm
<b>Tooling</b>	Indexable carbide insert

